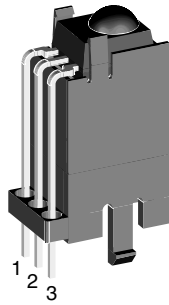
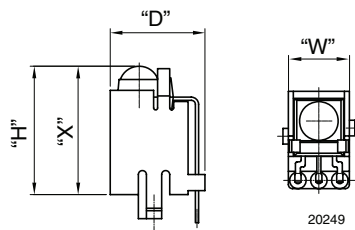


IR Receiver Modules for Remote Control Systems



16652



20249

FEATURES

- Compliant to RoHS directive 2002/95/EC and in accordance to WEEE 2002/96/EC

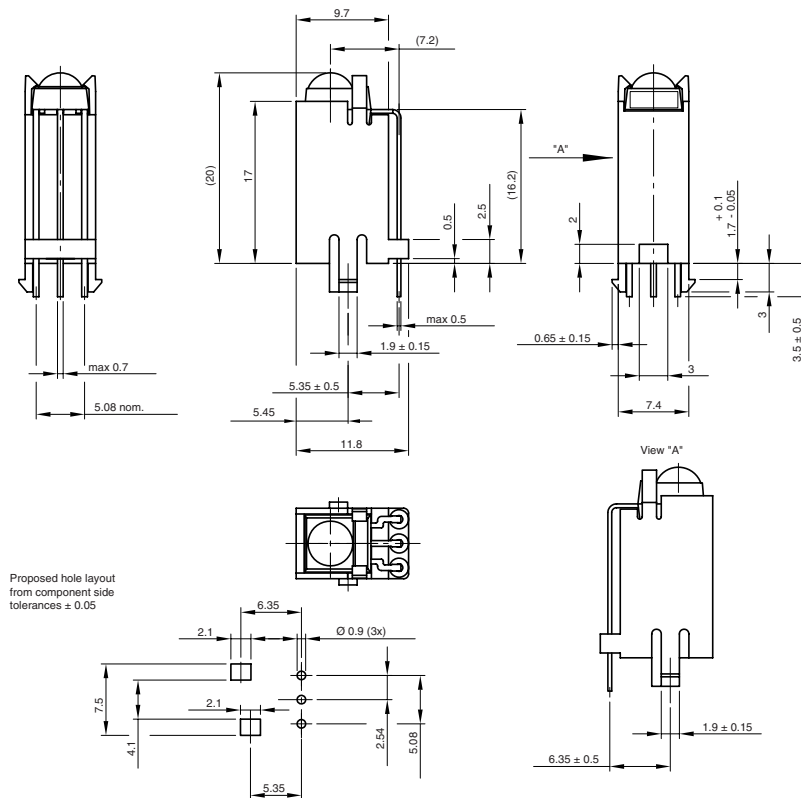

RoHS
COMPLIANT

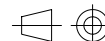
AVAILABLE FOR:

- TSOP34...
- TSOP4....
- TSOP32...
- TSOP2....

NAME	LENS AXIS (X)	VIEW	TYPE	HEIGHT (H)	WIDTH (W)	DEPTH (D)
QJ1	20	Top	Holder	20	7.4	11.8

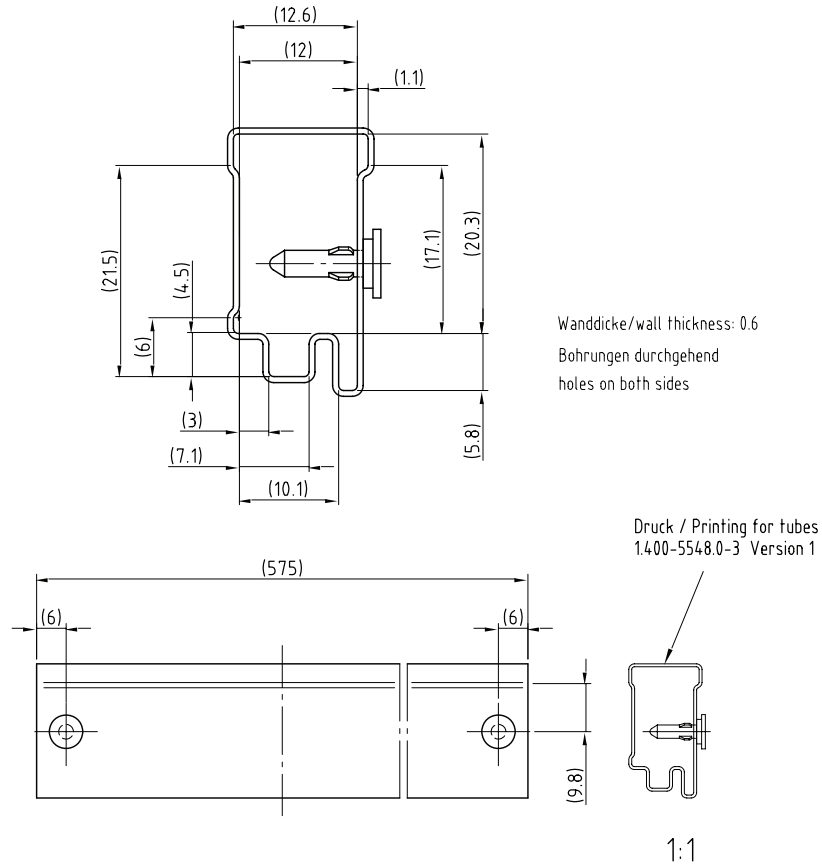
MECHANICAL DIMENSIONS in millimeters


 Proposed hole layout
from component side
tolerances ± 0.05

 Not indicated tolerances ± 0.3

 technical drawings
according to DIN
specifications

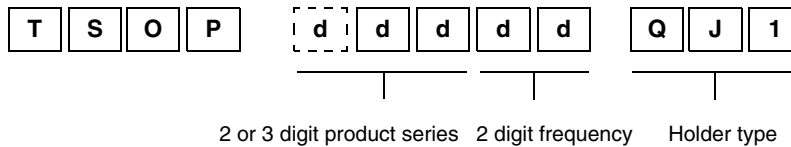
 Drawing-No.: 6.550-5195.01-4
Issue: 4; 05.02.09
16794

PACKAGING DIMENSIONS in millimeters



Drawing-No.: 9.700-5220.0-4
Rev. 4; Date: 20.11.03
20316-1

ORDERING INFORMATION



Note

d = "digit", please consult the list of available series on the previous page to create a valid part number.

Example: TSOP14838QJ1

PACKING QUANTITY

- 68 pieces per tube
- 20 tubes per carton